

PROLINE[®]

Hammer Chisels

High Performance Masonry Removal



CHAMPION[®]
CUTTING TOOL CORP.

CM96 SDS-Max Chisels



PROLINE

Hammer Chisels

High Performance Masonry Removal

Proline™ chisels are demolition tools engineered for high performance masonry removal in electric power tools. These tools are used in a broad range of applications including road construction, pavement work, bridge construction, utility installation, demolition and a variety of maintenance functions.

Proline™ chisels are forged from high quality steel and ground using CNC machinery. Our chisels are hardened and tempered under strictly controlled manufacturing process for optimal masonry removal and long tool life. All Proline™ chisels are oil quenched and shot blasted for additional stress relief and anti-rust lacquered in natural finish. Laser marked shanks ensure positive identification.

HEADS

Bull (moil) Point: General concrete demolition.

Flat Chisels: General concrete demolition Available in narrow (1") and wide (2", 3") versions for cutting pavement overlay.

Clay Spade: Clay and other rock-free soil cutting.

Asphalt Cutter: Asphalt, hardpan and compacted soil cutting.

Bushing Tool: Roughing up or concrete surface removal.

SHANKS

CM96 SDS-Max Chisels: For large rotary hammers with SDS-Max drive.

CM97 Spline Shank Chisels: For large rotary hammers with spline drive.

CM90 1-1/8" Breaker Chisels: For electric breakers requiring 1-1/8" notched shanks.

CM95 SDS-Plus Chisels: For SDS-Plus Hammer Drills.


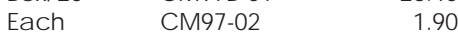
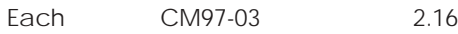

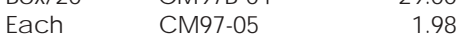





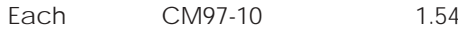





CM91 3/4" Hex Shank Chisels: For demolition hammers which use 3/4" accessories.

ITEM DESCRIPTION	QUANTITY	PART NO.	WEIGHT(LBS/EA.)
	Each	CM96-01	1.07
Bull Point 11"	Box/20	CM96B-01	21.40
Bull Point 12"	Each	CM96-02	1.16
Bull Point 12"	Box/20	CM96B-02	23.20
Bull Point 16"	Each	CM96-03	1.57
Bull Point 16"	Box/20	CM96B-03	31.40
Bull Point 18"	Each	CM96-04	1.82
Bull Point 18"	Box/20	CM96B-04	36.40
	Each	CM96-05	1.12
Flat Chisel 1"x11"	Box/20	CM96B-05	22.40
Flat Chisel 1"x12"	Each	CM96-06	1.21
Flat Chisel 1"x12"	Box/20	CM96B-06	22.40
Flat Chisel 1"x16"	Each	CM96-07	1.64
Flat Chisel 1"x16"	Box/20	CM96B-07	32.80
Flat Chisel 1"x18"	Each	CM96-08	1.87
Flat Chisel 1"x18"	Box/20	CM96B-08	37.40
Flat Chisel 1"x 24"	Each	CM96-09	2.48
	Each	CM96-10	1.26
Scaler 2"x12"	Each	CM96-11	1.34
Scaler 3"x12"	Each	CM96-12	1.58
	Each	CM96-13	1.16
	Each	CM96-14	1.18
	Each	CM96-15	1.34
	Each	CM96-16	1.29
	Each	CM96-17	1.17
	Each	CM96-18	2.63
	Each	CM96-19	1.75
	Each	CM96-20	0.59
	Each	CM96-21	5.07
	Each	CM96-22	4.72







CM97 Spline Shank Chisels



ITEM DESCRIPTION	QUANTITY	PART NO.	WEIGHT(LBS/EA.)
 Bull Point 12"	Each	CM97-01	1.32
Bull Point 12"	Box/20	CM97B-01	26.40
 Bull Point 16"	Each	CM97-02	1.90
Bull Point 16"	Box/20	CM97B-02	38.00
 Bull Point 18"	Each	CM97-03	2.16
Bull Point 18"	Box/20	CM97B-03	43.20
 Flat Chisel 1"x12"	Each	CM97-04	1.45
Flat Chisel 1"x12"	Box/20	CM97B-04	29.00
 Flat Chisel 1"x16"	Each	CM97-05	1.98
Flat Chisel 1"x16"	Box/20	CM97B-05	39.60
 Flat Chisel 1"x18"	Each	CM97-06	2.23
Flat Chisel 1"x18"	Box/20	CM97B-06	44.60
 Slotter 1-1/4"x12"	Each	CM97-07	1.54
 Clay Spade 4-1/2"x 20"	Each	CM97-08	4.91
 Scaler 1-5/8"x12"	Each	CM97-09	1.45
 Scaler 2"x12"	Each	CM97-10	1.54
 Scaler 3"x12"	Each	CM97-11	1.85
 Scraper 2"x12"	Each	CM97-12	1.54
 Ground Rod Driver 3/4"x10"	Each	CM97-13	2.48
 Bushing Tool 1-3/4"x10"	Each	CM97-14	2.69
 Bushing Shank 16"	Each	CM97-15	1.98
 Mortar 1-1/8"x12"	Each	CM97-16	1.54




CM90 1-1/8" Breaker Chisels



ITEM DESCRIPTION	QUANTITY	PART NO.	WEIGHT(LBS/EA.)
 Bull Point 20"	Each	CM90-01	5.56
 Flat Chisel 1-3/8"x 20"	Each	CM90-02	5.72
 Scaler 3"x 20"	Each	CM90-03	6.25
 Asphalt Cutter 5"x 20"	Each	CM90-04	9.68

CM95 SDS - Plus Chisels








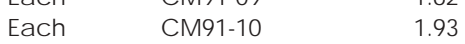
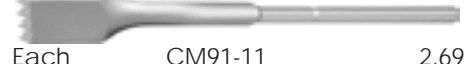
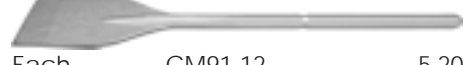

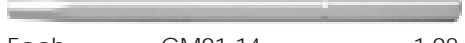
ITEM DESCRIPTION	QUANTITY	PART NO.	WEIGHT(LBS/EA.)
 Bull Point 10"	Each	CM95-01	0.52
 Flat Chisel 3/4"x10"	Each	CM95-02	0.57
 Scaler 1-5/8"x10"	Each	CM95-03	0.70



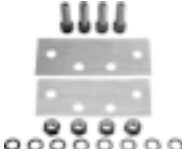


CM91 3/4" Hex Demolition Chisels

CM99 Floor Scraper & Accessories



ITEM DESCRIPTION	QUANTITY	PART NO.	WEIGHT(LBS/EA.)
			
Bull Point 12"	Each	CM91-01	1.36
Bull Point 16"	Each	CM91-02	1.92
Bull Point 18"	Each	CM91-03	2.22
			
Flat Chisel 1"x12"	Each	CM91-04	1.51
Flat Chisel 1"x16"	Each	CM91-05	2.04
Flat Chisel 1"x18"	Each	CM91-06	2.30
			
Ground Rod Driver 3/4"x10"	Each	CM91-07	1.54
			
Scraper 2"x12"	Each	CM91-08	1.62
			
Scaler 2"x12"	Each	CM91-09	1.62
			
Scaler 3"x12"	Each	CM91-10	1.93
			
Bushing Tool 1-3/4"x10"	Each	CM91-11	2.69
			
Asphalt Cutter 5" x 20"	Each	CM91-12	5.20
			
Clay Spade 4-1/2" x 20"	Each	CM91-13	4.91
			
Bushing Shank 16"	Each	CM91-14	1.98

ITEM DESCRIPTION	QUANTITY	PART NO.	WEIGHT(LBS/EA.)
			
Scraper Complete 2.0mm	Each	CM99-01	5.28
			
Scraper Replac. Blade 2.0mm*	Each	CM99-02	0.86
			
Repair Kit For Scraper 18 Pc.*	Each	CM99-03	0.44

*CM99 Floor Accessories may be used with the following shanks:

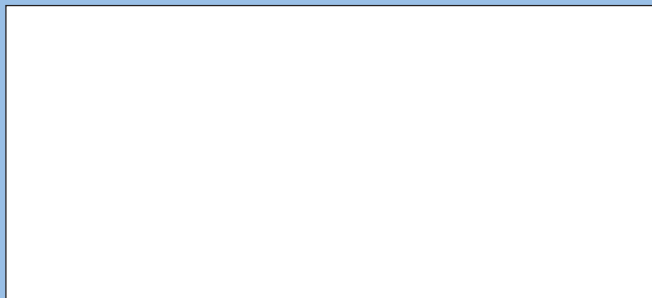
SDS-MAX - CM96-19

Spline - CM97-15

Hex Demolition 3/4" - CM91-14



Your Authorized Champion Distributor:



CHAMPION[®]
CUTTING TOOL CORP.

Rockville Centre, NY 11570 • USA
1 800 645-3957 • FAX 516 536-8186
www.championcuttingtool.com